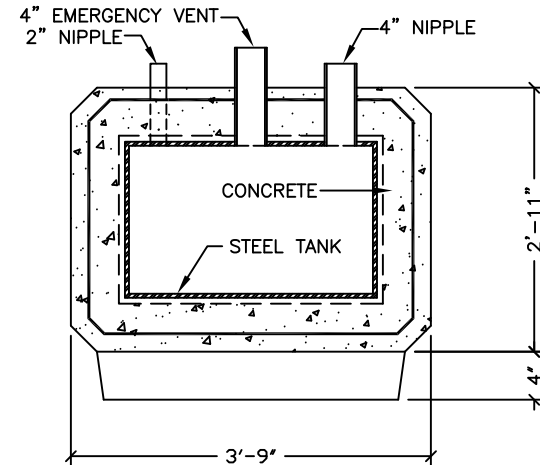
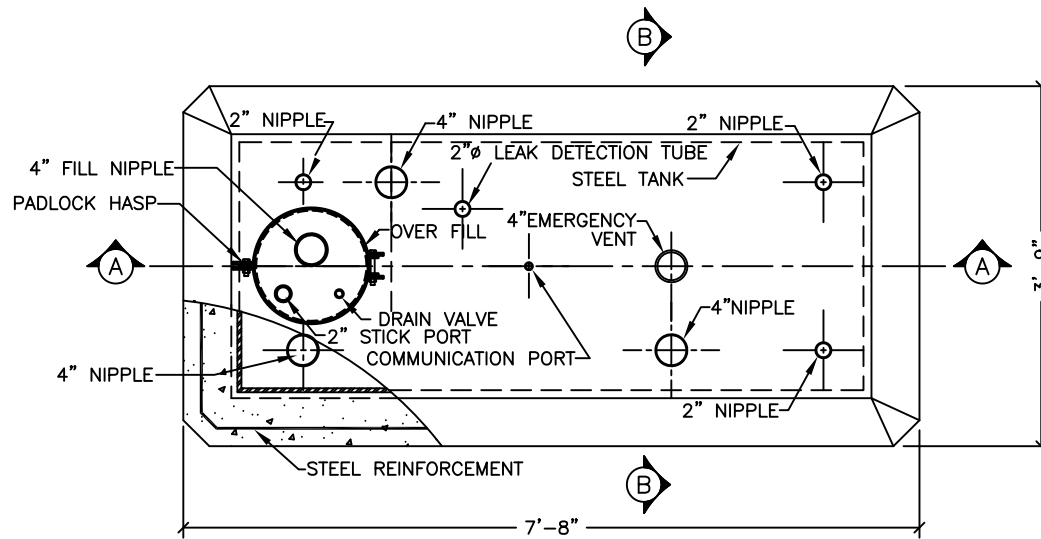


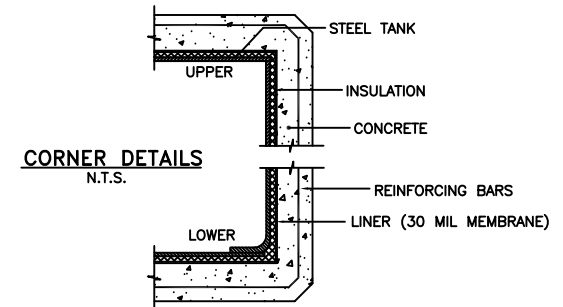
SECTION A-A



SECTION B-B



PLAN VIEW



2085 Listed



LISTED BP20788

- 20 YEAR WARRANTY
- 30 YEAR WARRANTY
- 7 GALLON U.L. LISTED OVERFILL CONTAINMENT (OPTIONAL)

STANDARD TOP DESIGN SHOWN, OTHER DESIGNS AVAILABLE.
TANK MUST BE SET ACCORDING TO CONVAULT INSTRUCTIONS IN ORDER TO ACTIVATE WARRANTY.

PLANT LOCATION:	WEIGHT:	8,000 LBS
Telford, PA.	REVISION DATE:	12-05-11
TANK SIZE	SCALE:	1/2"=1'-0"
250-GALLON	DRAWING NUMBER	88153100

Core Engineered Solutions, Inc.
620 Herndon Pkwy, Suite 120
Herndon, VA 20170
(703) 563-0320 (703) 563-0330 FAX
www.core-es.com info@core-es.com

