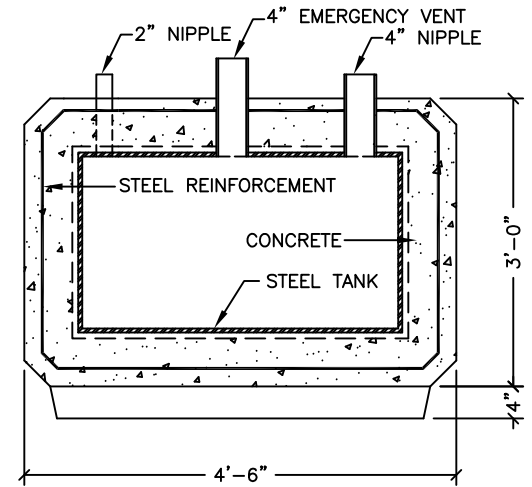
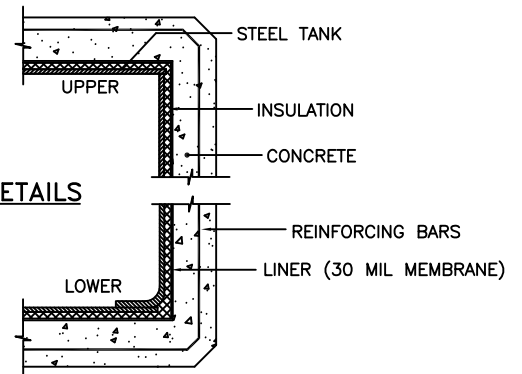


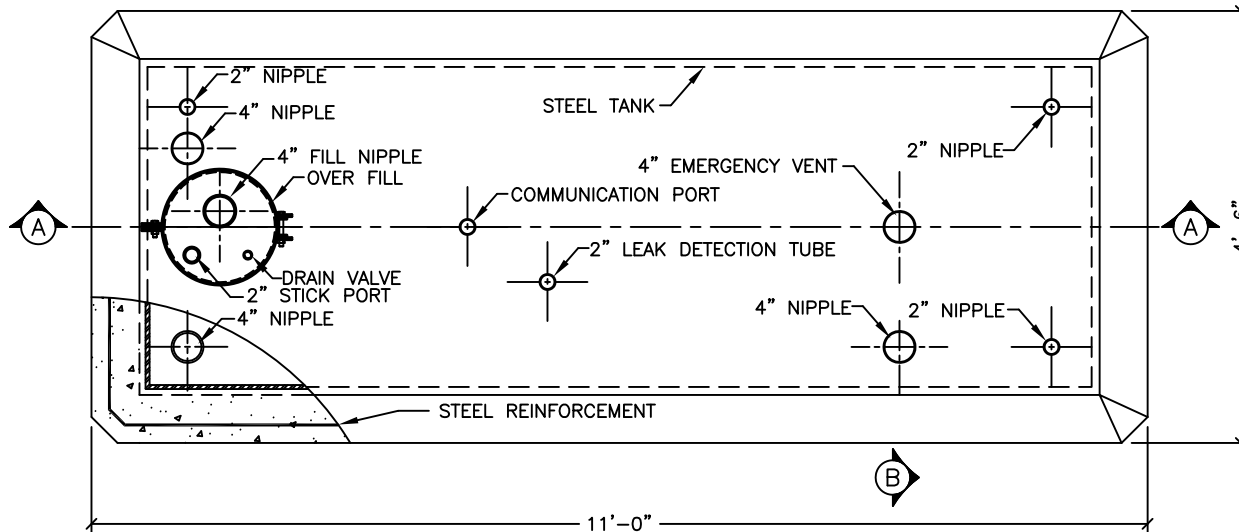
SECTION A-A



SECTION B-B



CORNER DETAILS
N.T.S.



PLAN VIEW

- 20 YEAR WARRANTY
- 30 YEAR WARRANTY
- 7 GALLON U.L. LISTED OVERFILL CONTAINMENT (OPTIONAL)

STANDARD TOP DESIGN SHOWN, OTHER DESIGNS AVAILABLE.
TANK MUST BE SET ACCORDING TO CONVAULT INSTRUCTIONS
IN ORDER TO ACTIVATE WARRANTY.

PLANT LOCATION:	WEIGHT:	12,000 LBS
TELFORD, PA.	REVISION DATE:	12-05-11
	SCALE:	1/2"=1'-0"
TANK SIZE	500-GALLON	DRAWING NUMBER 88153104



Core Engineered Solutions, Inc.
620 Herndon Pkwy, Suite 120
Herndon, VA 20170
(703) 563-0320 (703) 563-0330 FAX
www.core-es.com info@core-es.com