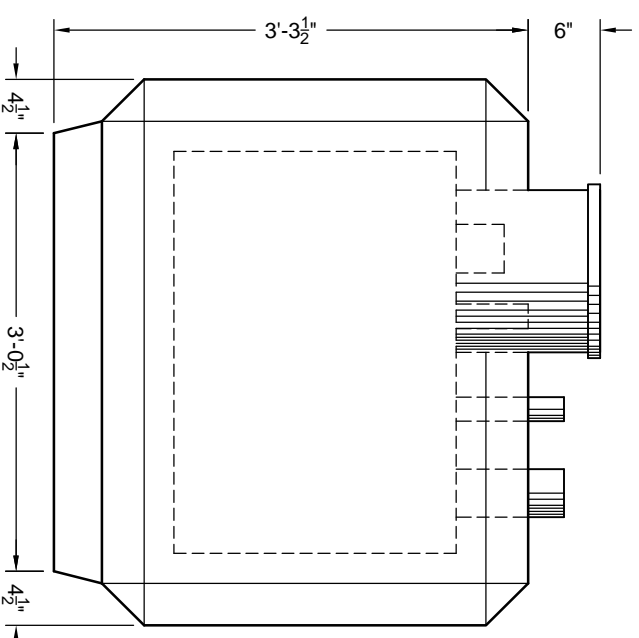
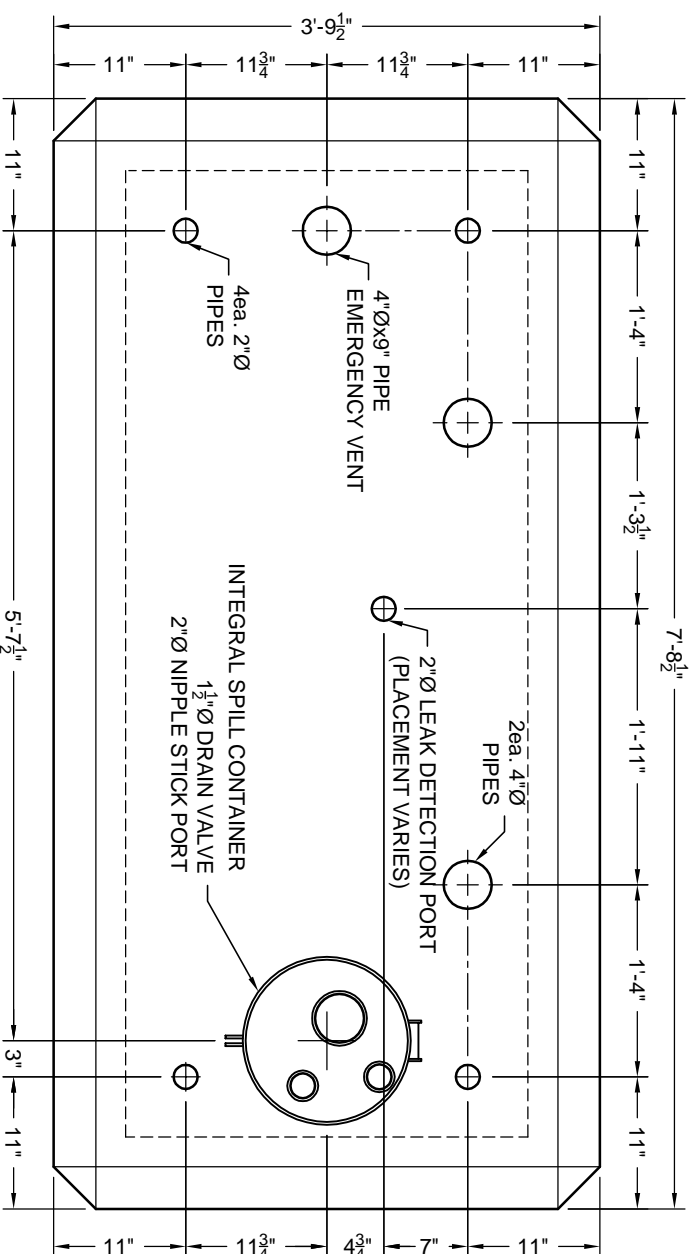


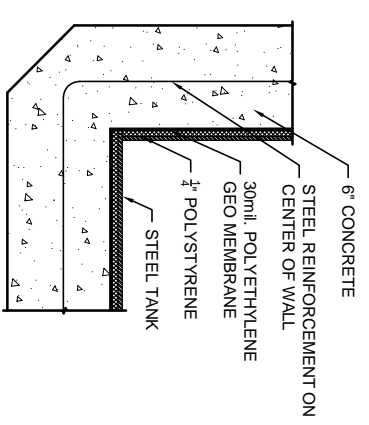
TYPICAL SIDE VIEW



TYPICAL END VIEW



TYPICAL PLAN VIEW



WALL DETAIL

**NOTES:**

1. STEEL TANK SHALL BE U.L. 142 LISTED FOR ABOVE GROUND STORAGE OF FLAMMABLE LIQUIDS.
2. STEEL TANK SKIN SHALL BE 3/16" THICK A.S.T.M. A-36 STEEL PLATE.
3. ALL EXPOSED METAL WITH THE EXCEPTION OF STAINLESS STEEL MUST BE POWDER COATED TO INHIBIT CORROSION.
4. STEEL TANKS SHALL BE RECTANGULAR IN SHAPE AND HAVE CONTINUOUS WELDS ON THE OUTSIDE.
5. STEEL TANK AND SECONDARY CONTAINMENT SHALL BE ENCASED IN SIX INCHES OF 4000 P.S.I. REINFORCED CONCRETE.
6. STEEL TANK SHALL BE PRESSURE TESTED AT 5 P.S.I.G. FOR 24 HOURS WITHOUT PRESSURE DROP.
7. TANK WALL SYSTEM SHALL BE LISTED IN ACCORDANCE WITH U.L. STANDARD 2085 AND SHOWN TO HAVE A TWO HOUR FIRE RATING
8. VAULTS SHALL HAVE THE CAPABILITY OF PHYSICAL MONITORING BETWEEN THE PRIMARY AND THE SECONDARY CONTAINMENT.
9. THE SECONDARY CONTAINMENT SHALL CONSIST OF A 30 ML HIGH DENSITY POLYETHYLENE GEO LINEAR.
10. THE VAULT SHALL BE OF A MONOLITHIC (SEAMLESS AND CONTINUOUS) CONCRETE POUR AND CONTAIN NO COLD JOINTS OR HEAT SINKS (HEAT TRANSFER POINTS) ON THE BOTTOM OR SIDES.
11. VAULT SHALL HAVE COATED CONCRETE EXTERIOR TO RESIST WEATHER AND REFLECT SUNLIGHT.



THIS DOCUMENT IS THE PROPERTY OF OLDCASTLE PRECAST, INC. IT IS CONFIDENTIAL. SOME RIGHTS ARE RESERVED. PERMISSION IS GRANTED TO USE THIS DOCUMENT FOR THE DESIGN OF A CONCRETE STORAGE TANK. ALL RIGHTS RESERVED. COMPANET 80115 OLDCASTLE PRECAST, INC. ALL RIGHTS RESERVED.

**CONVAULT STORAGE TANK**  
250 GALLON



DATE	SALES	DRAWN	ENGINEER	CHECKED	SALES ORDER
10/21/13					
	DRAWING NUMBER		REVISION		SHEET
	Sales Drawings		REV/DAT		OF